



<b>Model</b>	<b>TY20005</b>
Capacity	20T
Stroke	175mm
Work range	0-910mm
N.W.	1# 61kgs
G.W.	1#63.5kgs
Package Size	1565x185x145mm

**20  
TON**

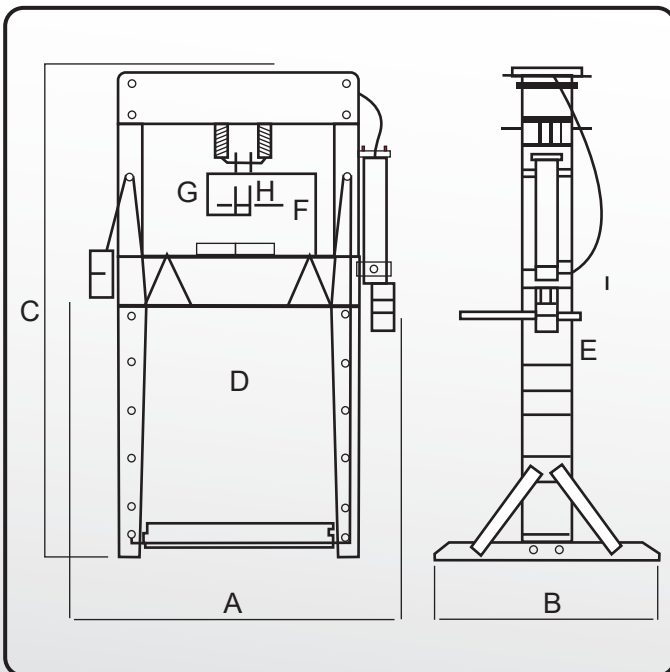
**810mm**  


**175mm**  


**Paper  
Carton**



Model	TY20005
A(mm)	810
B(mm)	700
C(mm)	1810
D(mm)	540
E(mm)	100
F(mm)	0-910
G(mm)	175
H(mm)	Ø48



## Showroom



### Tools & Equipment

Way No 7721, Road No 5, Mabela Industrial Area, Muscat, Oman.

**Mabela Showroom:** 9396 6865  
 Sohar - 9133 2946, Salalah - 7193 6778  
 Nizwa - 7158 3574, Jalan Bani Bu Ali - 9988 2973

9983 3239, 9320 0399, 9897 5620, 9381 9668,  
 9915 9088, 91788 597, 91742 867, 9386 2790

2246 4851 | **Toll Free: 8000 4321**

www.opalte.com | Opal Tools & Equipment - Oman | opaltoolsandequipment

## Head Office



### Opal Marketing & Industry LLC

P.O. Box - 273, Ruwi, Postal Code: 112,  
 Muscat, Oman.

2447 8568, 2447 9986 | Fax: 2447 8566

www.opalgcc.com